



Horizontal Submersible Pumps (0.50 HP to 2.00 HP)



Performance Range

- ✦ Flow rate up to 950 l/min. (57 m³/h)
- ✦ Dynamic head up to 42 m.

Applications

- ✦ For clean liquids without abrasives, which are non - aggressive for the pump materials. (Solids content up to 0.2 %)
- ✦ Canals / River belt irrigation.
- ✦ For water supply.
- ✦ Fountains.
- ✦ For fire fighting applications.
- ✦ For civil and industrial applications.
- ✦ For heating, cooling, air - conditioning and circulation plants.

Special Features on Request

- ✦ Other voltages.
- ✦ Available in 60Hz.

Motor

- ✦ 2 - pole submersible motor
50Hz (n = 2900 RPM)
- ✦ Single phase :
230V +5 - 15 %
- ✦ Three phase :
400V +5 -15 %
- ✦ Protection IP 68

Operating Conditions

- ✦ Liquid temperature up to 35°.
- ✦ Ambient temperature up to 50°.
- ✦ Minimum submergence depth 0.5 mtr.
- ✦ Continuous duty.
- ✦ For Control Box (refer page no. 8)

Material

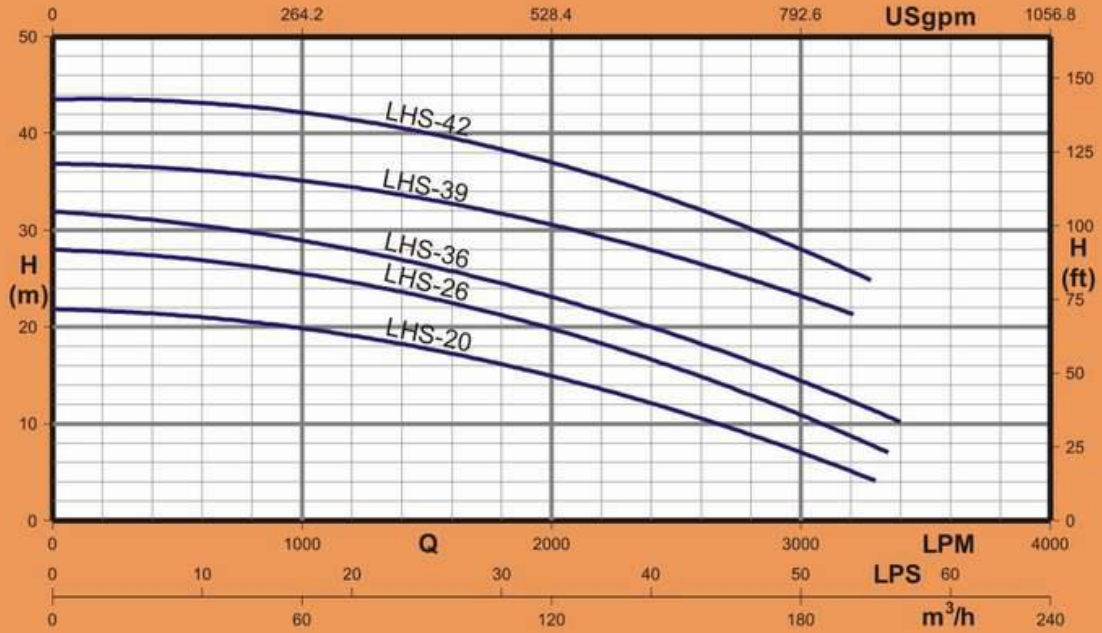
COMPONENTS	MATERIAL
Pump Casing	Grey Iron
Impeller	Grey Iron / Bronze
Adaptor	Grey Iron
Lower Bearing Housing	Grey Iron
Stator Frame	Stainless Steel
Shaft	Stainless Steel

NOTE : For Bronze impeller please add a subscript "B" to model no.
For Ex. : LHL-150 for Grey Iron impeller, LHL-150B for Bronze impeller.



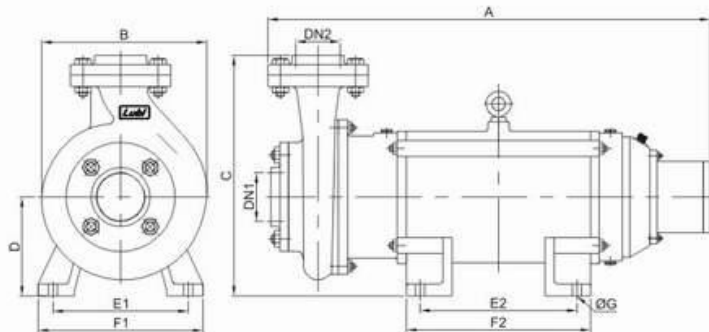
Tel : +91 79 2220 4711 upto 18, Fax : + 91 79 2220 0660, E-mail : expsales@lubipumps.com, Web : www.lubipumps.com

PERFORMANCE CHART AT n = 2900 RPM FOR 5" X 5" PUMPS



PERFORMANCE DATA AT n = 2900 RPM

MODEL	POWER		m ³ /h l/min	60	90	120	150	180	192
3Ø	kW	HP		1000	1500	2000	2500	3000	3200
LHS-20	7.5	10.0	H (m)	20	18	15	11.5	7	5
LHS-26	9.3	12.5		26	23	20	16	11	9
LHS-36	15.0	20.0		29	26.5	23	19	14.5	12
LHS-39	18.5	25.0		35	33	30.5	27	23	21
LHS-42	22.0	30.0		42	40	37	33	28	26

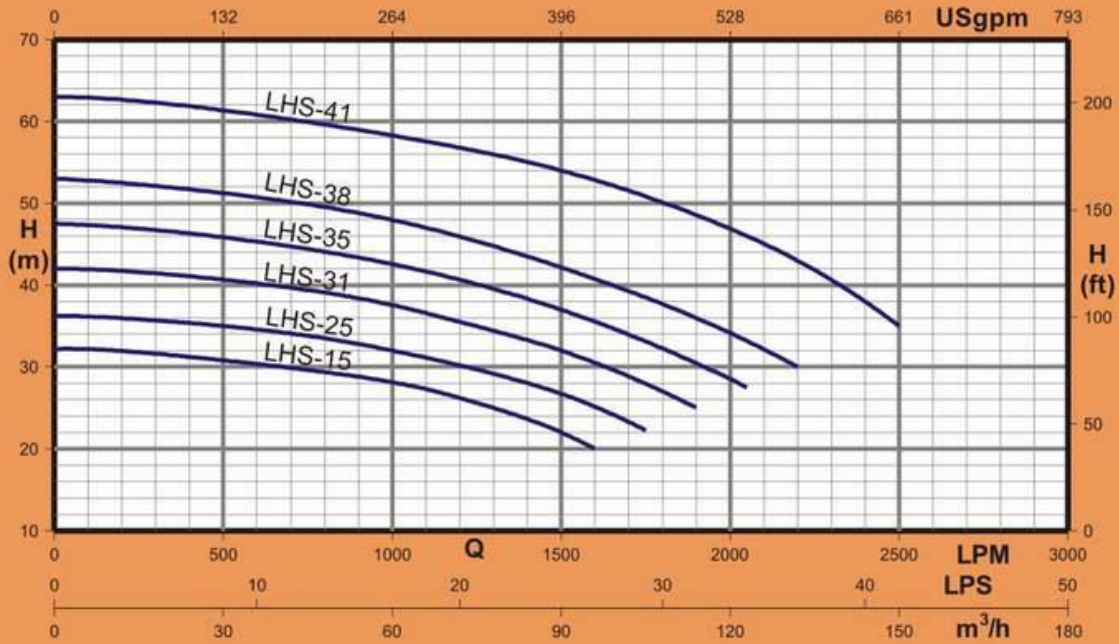


DIMENSIONS

MODEL	DN1	DN2	DIMENSIONS mm								GROSS WEIGHT kg.	VOLUME m ³	
			A	B	C	D	E1	E2	F1	F2			ØG
LHS-20	5"	5"	794	338	393	150	205	271	250	311	Ø17.50	173.0	0.210
LHS-26	5"	5"	844	338	412	150	205	320	250	365	Ø17.50	177.0	0.291
LHS-36	5"	5"	855	338	492	190	245	250	300	300	Ø17.50	222.0	0.291
LHS-39	5"	5"	855	338	492	190	245	250	300	300	Ø17.50	220.0	0.291
LHS-42	5"	5"	855	338	492	190	245	250	300	300	Ø17.50	232.0	0.291

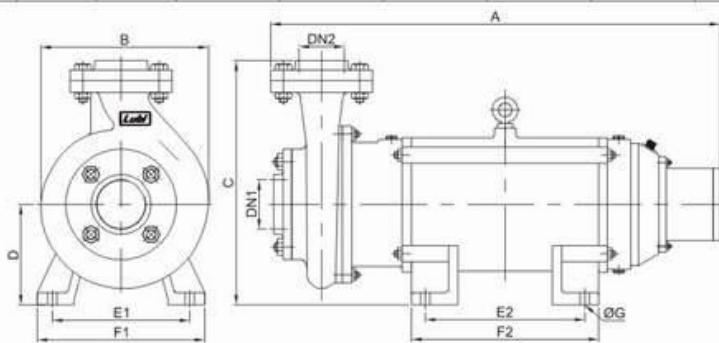


PERFORMANCE CHART AT n = 2900 RPM FOR 4" X 4" PUMPS



PERFORMANCE DATA AT n = 2900 RPM

MODEL	POWER		m ³ /h	60	90	105	120	135	150
	kW	HP							
	3Ø		l/min	1000	1500	1750	2000	2250	2500
LHS-15	7.5	10.0	H (m)	28	22	16	-	-	-
LHS-25	9.3	12.5		32	27	22	-	-	-
LHS-31	11.0	15.0		38	32	28	24	-	-
LHS-35	15.0	20.0		42.5	37	33	28.5	24	-
LHS-38	18.5	25.0		48	42	38	34	29	-
LHS-41	22.0	30.0		58	54	50	47	42	35

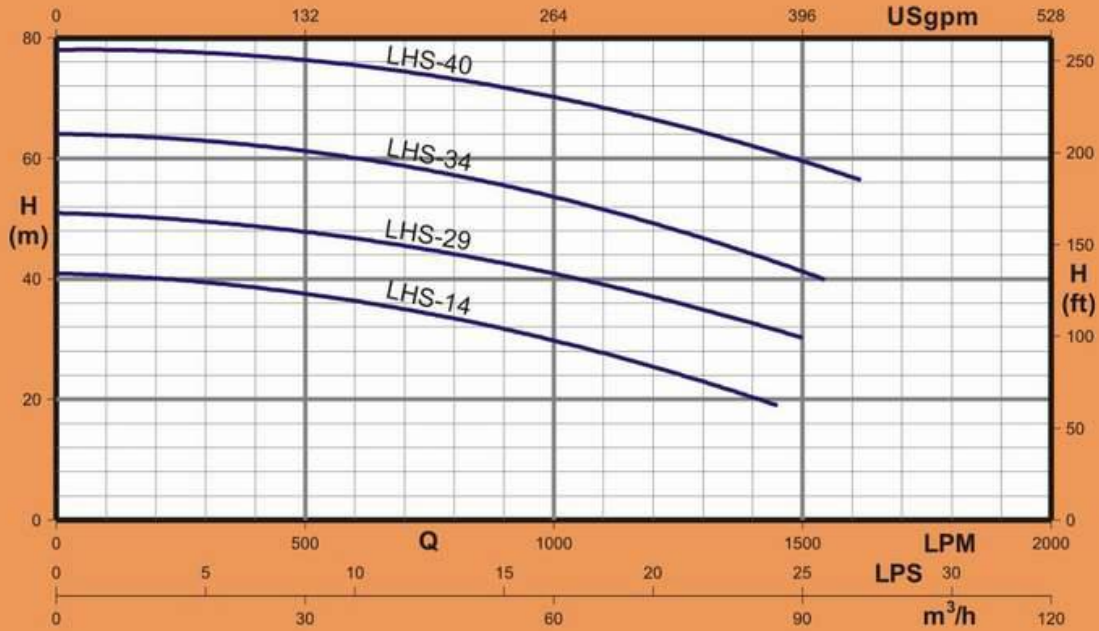


DIMENSIONS

MODEL	DN1	DN2	DIMENSIONS mm								GROSS WEIGHT kg.	VOLUME m ³	
			A	B	C	D	E1	E2	F1	F2			ØG
LHS-15	4"	4"	763	287	383	150	205	271	250	311	Ø17.50	142.0	0.210
LHS-25	4"	4"	813	287	383	150	205	320	250	365	Ø17.50	168.0	0.291
LHS-31	4"	4"	833	330	446	190	245	250	300	300	Ø17.50	209.0	0.291
LHS-35	4"	4"	833	330	446	190	245	250	300	300	Ø17.50	236.0	0.291
LHS-38	4"	4"	833	330	446	190	245	250	300	300	Ø17.50	234.0	0.291
LHS-41	4"	4"	833	330	441	190	245	250	300	300	Ø17.50	231.0	0.291

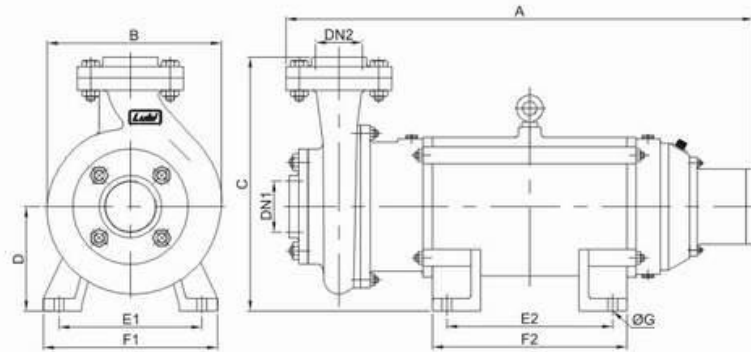


PERFORMANCE CHART AT n = 2900 RPM FOR 3" X 3" PUMPS



PERFORMANCE DATA AT n = 2900 RPM

MODEL	POWER		m³/h	30	45	60	75	90	96
	kW	HP		500	750	1000	1250	1500	1600
LHS-14	7.5	10.0	H (m)	38	34	30	24	18	-
LHS-29	11.0	15.0		48	45	41	36	30	28
LHS-34	15.0	20.0		61	58	54	48	41	39
LHS-40	22.0	30.0		76	74	70	65	60	57

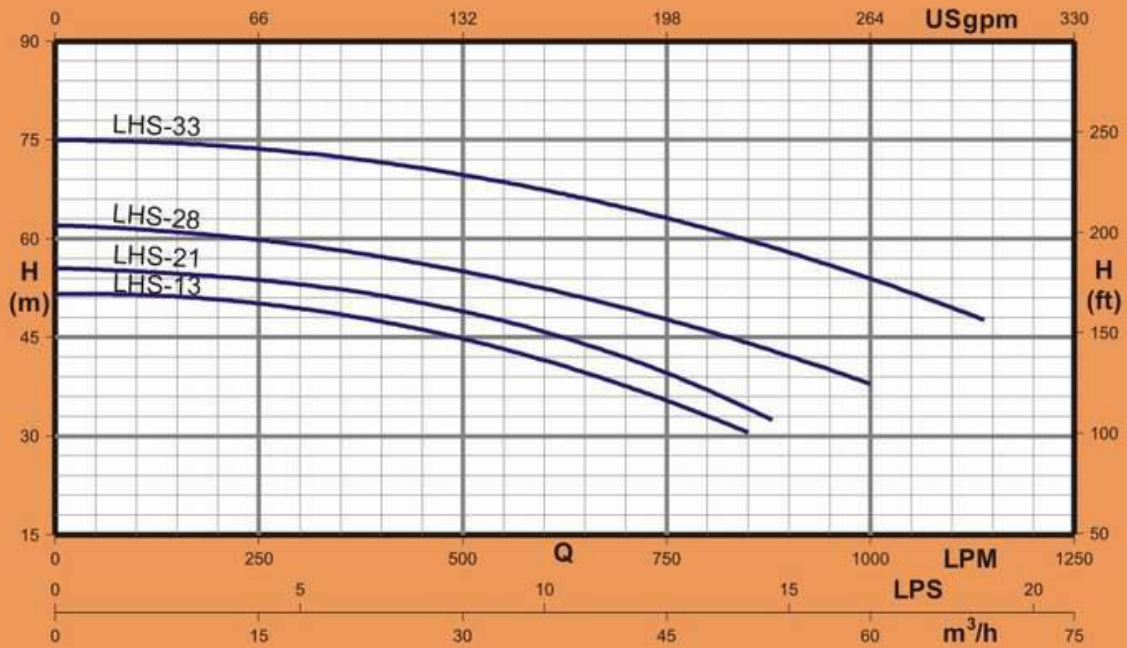


DIMENSIONS

MODEL	DN1	DN2	DIMENSIONS mm								GROSS WEIGHT kg.	VOLUME m³	
			A	B	C	D	E1	E2	F1	F2			ØG
LHS-14	3"	3"	743	257	379	150	205	271	250	311	Ø17.50	129.0	0.210
LHS-29	3"	3"	808	343	419	190	245	250	300	300	Ø17.50	200.0	0.291
LHS-34	3"	3"	808	343	441	190	245	250	300	300	Ø17.50	222.0	0.291
LHS-40	3"	3"	807	343	451	190	245	250	300	300	Ø17.50	223.0	0.291

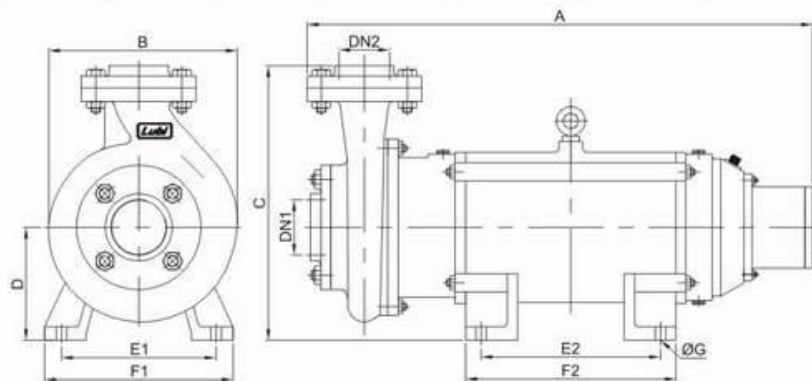


PERFORMANCE CHART AT n = 2900 RPM FOR 2-1/2" X 2-1/2" PUMPS



PERFORMANCE DATA AT n = 2900 RPM

MODEL	POWER		m ³ /h	15	30	45	54	60
	kW	HP		l/min	250	500	750	900
LHS-13	7.5	10.0	H (m)	50	45	35	28	-
LHS-21	9.3	12.5		54	49	39	32	-
LHS-28	11.0	15.0		60	55	48	42	38
LHS-33	15.0	20.0		74	70	63	58	54



DIMENSIONS

MODEL	DN1	DN2	DIMENSIONS mm								GROSS WEIGHT kg.	VOLUME m ³	
			A	B	C	D	E1	E2	F1	F2			ØG
LHS-13	2- 1/2"	2- 1/2"	734	298	380	150	205	271	250	311	Ø17.50	158.0	0.291
LHS-21	2- 1/2"	2- 1/2"	783	298	400	150	205	320	250	365	Ø17.50	173.0	0.291
LHS-28	2- 1/2"	2- 1/2"	798	328	440	190	245	250	300	300	Ø17.50	196.0	0.291
LHS-33	2- 1/2"	2- 1/2"	797	328	440	190	245	250	300	300	Ø17.50	218.0	0.291

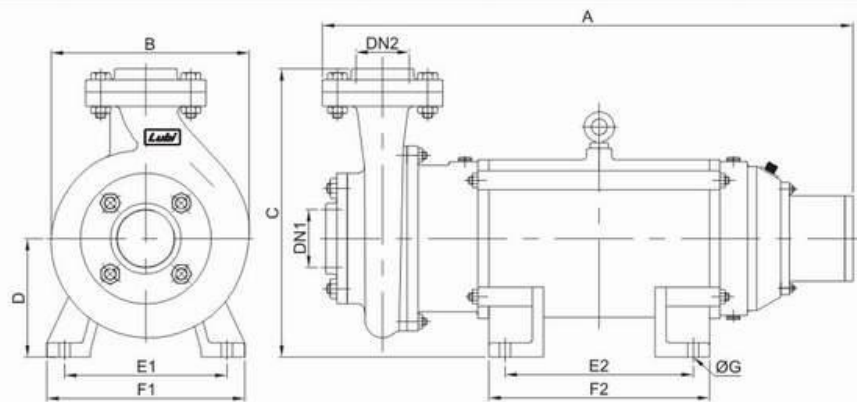


PERFORMANCE CHART AT n = 2900 RPM FOR 2-1/2" X 2" PUMPS



PERFORMANCE DATA AT n = 2900 RPM

MODEL	POWER		m³/h	15	30	45	54	60
	kW	HP		l/min	250	500	750	900
LHS-13AH	7.5	10.0	H	45	40	30	23	17
LHS-27	11.0	15.0	(m)	60	52	40	31	24



DIMENSIONS

MODEL	DN1	DN2	DIMENSIONS mm									GROSS WEIGHT kg.	VOLUME m³
			A	B	C	D	E1	E2	F1	F2	ØG		
LHS-13AH	2- 1/2"	2"	734	298	380	150	205	271	250	311	Ø17.50	150.0	0.210
LHS-27	2- 1/2"	2"	787	317	400	190	245	250	300	300	Ø17.50	190.0	0.291



LHS

Horizontal Submersible Pumps (10.0 HP to 30 HP)



Performance Range

- ◆ Flow rate up to 3200 l/min. (192 m³/h)
- ◆ Dynamic head up to 76 mts.

Applications

- ◆ For clean liquids without abrasives, which are non - aggressive for the pump materials. (Solids content up to 0.2 %)
- ◆ Canals / River belt irrigation.
- ◆ For water supply.
- ◆ Fountains.
- ◆ For fire fighting applications.
- ◆ For civil and industrial applications.
- ◆ For heating, cooling, air - conditioning and circulation plants.

Special Features on Request

- ◆ Other voltages.
- ◆ Available in 60Hz.

Motor

- ◆ 2 - pole submersible motor
50Hz (n = 2900 RPM)
- ◆ Three phase :
400V +5 -15 %
- ◆ Protection IP 68

Operating Conditions

- ◆ Liquid temperature up to 35°.
- ◆ Ambient temperature up to 50°.
- ◆ Minimum submergence depth 0.5 mtr.
- ◆ Continuous duty.

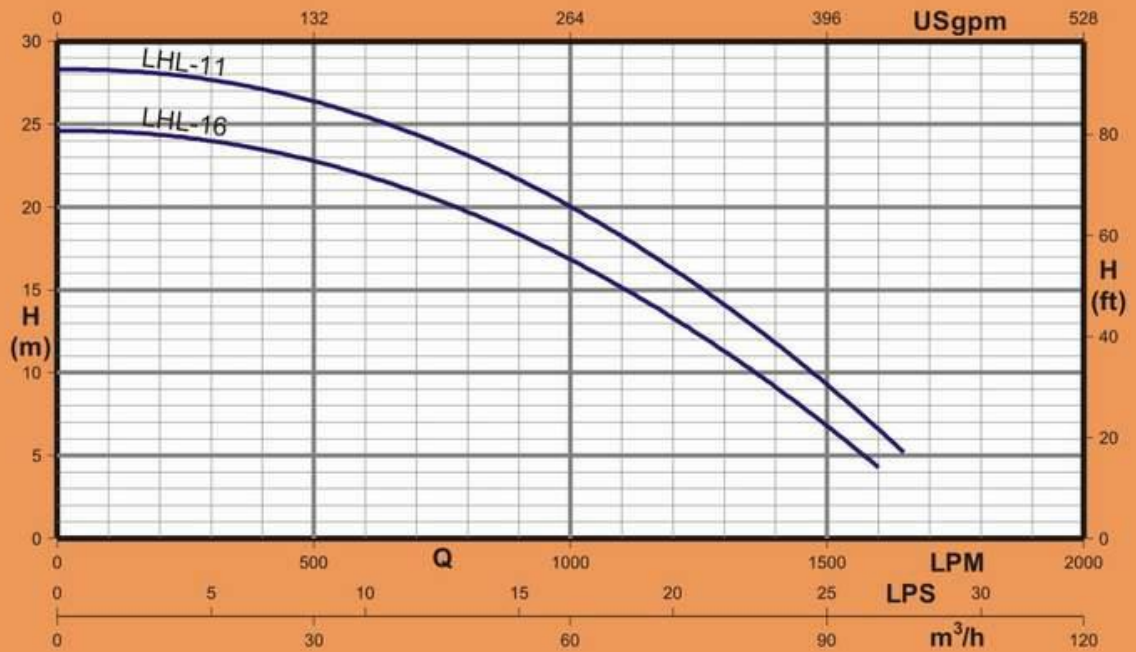
Material

COMPONENTS	MATERIAL
Pump Casing	Grey Iron
Impeller	Grey Iron / Bronze
Adaptor	Grey Iron
Lower Bearing Housing	Grey Iron
Stator Frame	Grey Iron
Shaft	Carbon Steel
Diaphragm	Rubber

NOTE : For Bronze impeller please add a subscript "B" to model no.
For Ex. : LHS-27 for Grey Iron impeller, LHS-27B for Bronze impeller.

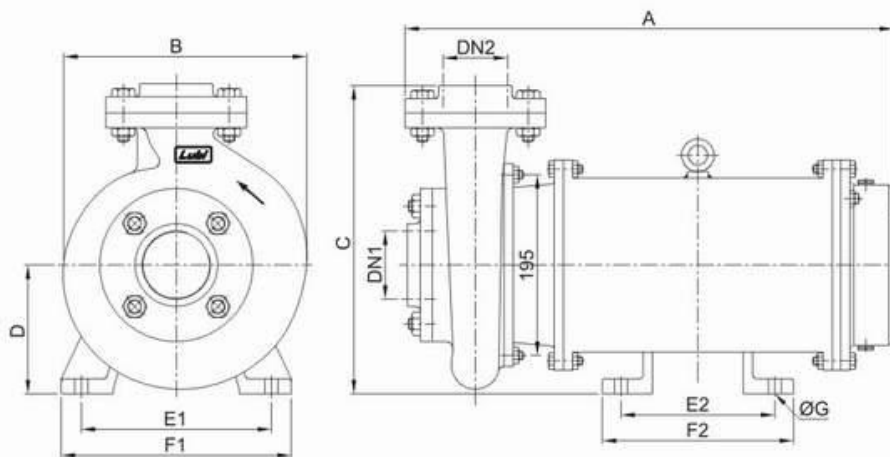


PERFORMANCE CHART AT n = 2900 RPM FOR 4" X 4" PUMPS



PERFORMANCE DATA AT n = 2900 RPM

MODEL	POWER		m ³ /h l/min	30	45	60	75	90
	kW	HP		H	H	H	H	H
LHL-16	3.70	5.0	(m)	23	20	17	12.5	7
LHL-11	5.50	7.5	(m)	26.5	23.5	20	15	9

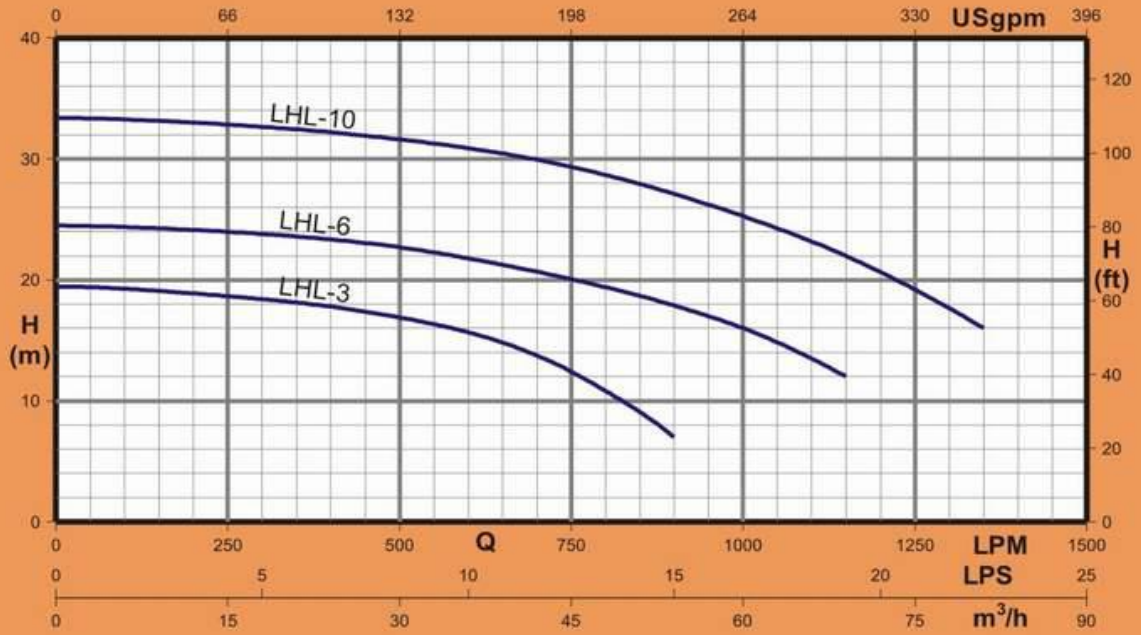


DIMENSIONS

MODEL	DN1	DN2	DIMENSIONS mm									GROSS WEIGHT kg.	VOLUME m ³
			A	B	C	D	E1	E2	F1	F2	ØG		
LHL-16	4"	4"	538	287	371	141	170	125	200	200	Ø14	81.5	0.1561
LHL-11	4"	4"	633	287	371	141	170	165	200	240	Ø14	98.5	0.1872

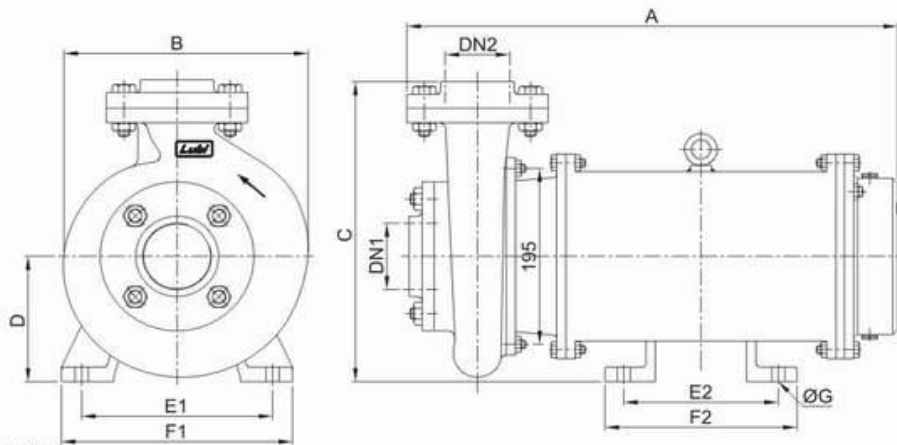


PERFORMANCE CHART AT n = 2900 RPM FOR 3" X 3" PUMPS



PERFORMANCE DATA AT n = 2900 RPM

MODEL	POWER		m³/h	15	30	45	60	75	81
	kW	HP							
3Ø			l/min	250	500	750	1000	1250	1350
LHL-3	2.20	3.0	H (m)	19	17	11.5	-	-	-
LHL-6	3.70	5.0		24	23	20	16	9	-
LHL-10	5.50	7.5		33	32	29	25	19	16

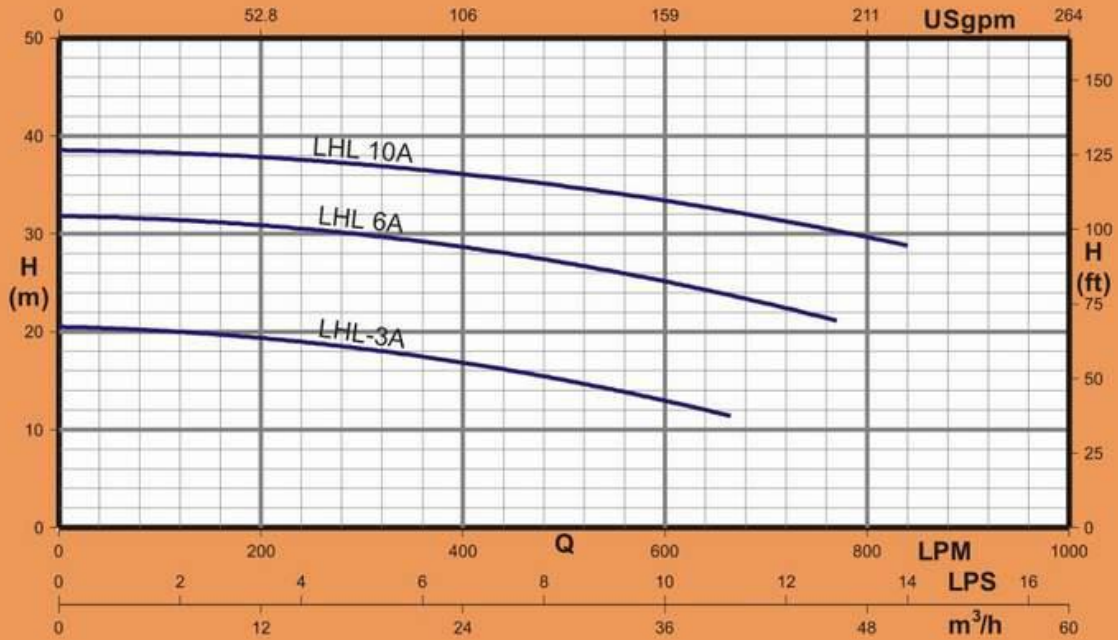


DIMENSIONS

MODEL	DN1	DN2	DIMENSIONS mm									GROSS WEIGHT kg.	VOLUME m³
			A	B	C	D	E1	E2	F1	F2	ØG		
LHL-3	3"	3"	498	232	331	141	170	105	200	180	Ø14	81.0	0.1561
LHL-6	3"	3"	518	232	331	141	170	125	200	200	Ø14	81.0	0.1561
LHL-10	3"	3"	613	257	369	141	170	165	200	240	Ø14	92.0	0.1872

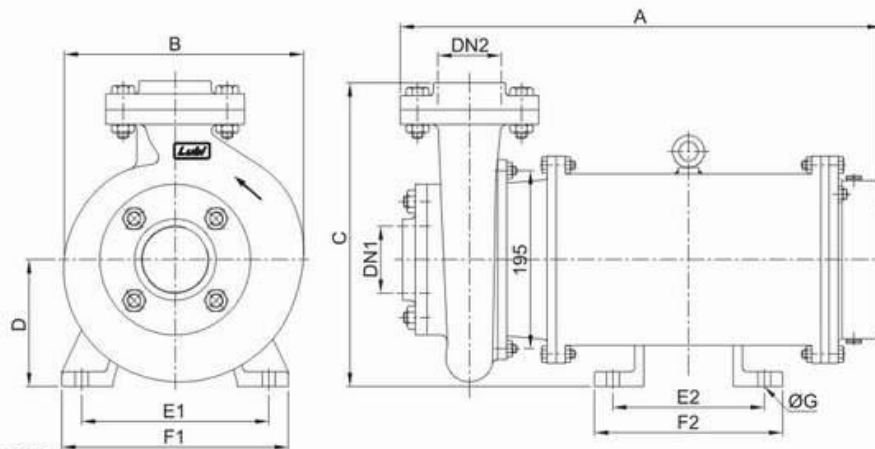


PERFORMANCE CHART AT n = 2900 RPM FOR 3" X 2-1/2" PUMPS



PERFORMANCE DATA AT n = 2900 RPM

MODEL	POWER		m ³ /h	12	24	36	42	48
	kW	HP						
			l/min	200	400	600	700	800
LHL-3A	2.20	3.0	H (m)	19	17	13	10	-
LHL-6A	3.70	5.0		31	29	25	23	20
LHL-10A	5.50	7.5		38	36	34	32	30

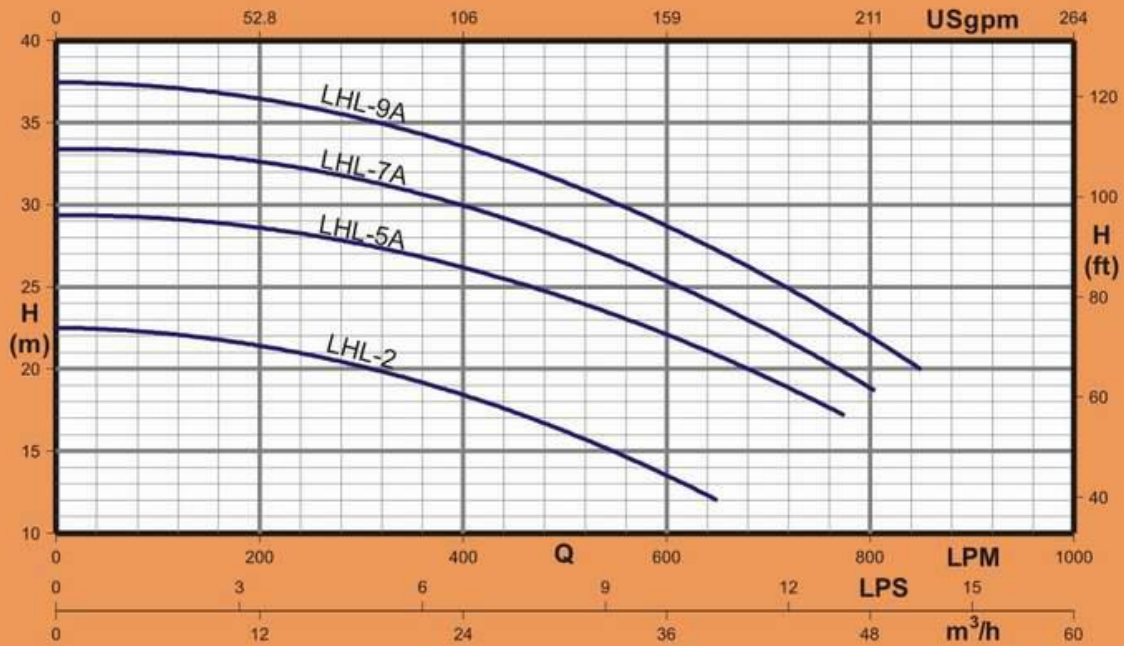


DIMENSIONS

MODEL	DN1	DN2	DIMENSIONS mm								GROSS WEIGHT kg.	VOLUME m ³	
			A	B	C	D	E1	E2	F1	F2			ØG
LHL-3A	3"	2- 1/2"	489	231	326	141	170	105	200	180	Ø14	82.0	0.1561
LHL-6A	3"	2- 1/2"	500	265	335	141	170	125	200	200	Ø14	85.0	0.1561
LHL-10A	3"	2- 1/2"	600	265	360	141	170	165	200	240	Ø14	90.0	0.1872

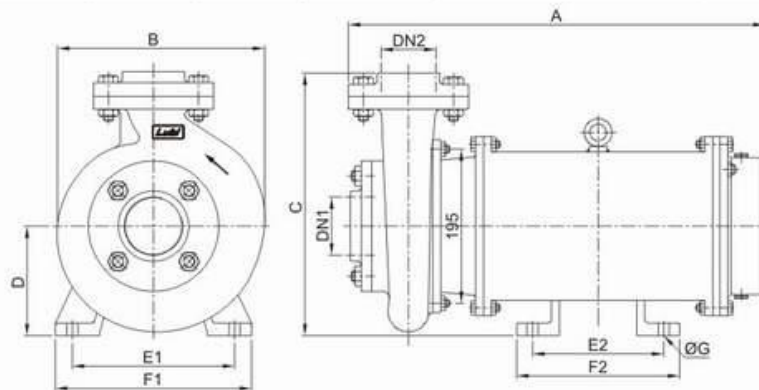


PERFORMANCE CHART AT n = 2900 RPM FOR 2-1/2" X 2" PUMPS



PERFORMANCE DATA AT n = 2900 RPM

MODEL	POWER		m ³ /h	12	24	36	42	48
	kW	HP		l/min	200	400	600	700
LHL-2	2.20	3.0	H (m)	21.5	18.5	13.5	10	-
LHL-5A	3.70	5.0		28.5	26	22	19.5	16.5
LHL-7A	4.90	6.5		32.5	30	25.5	22.5	19
LHL-9A	5.50	7.5		36.5	33.5	28.5	25.5	22

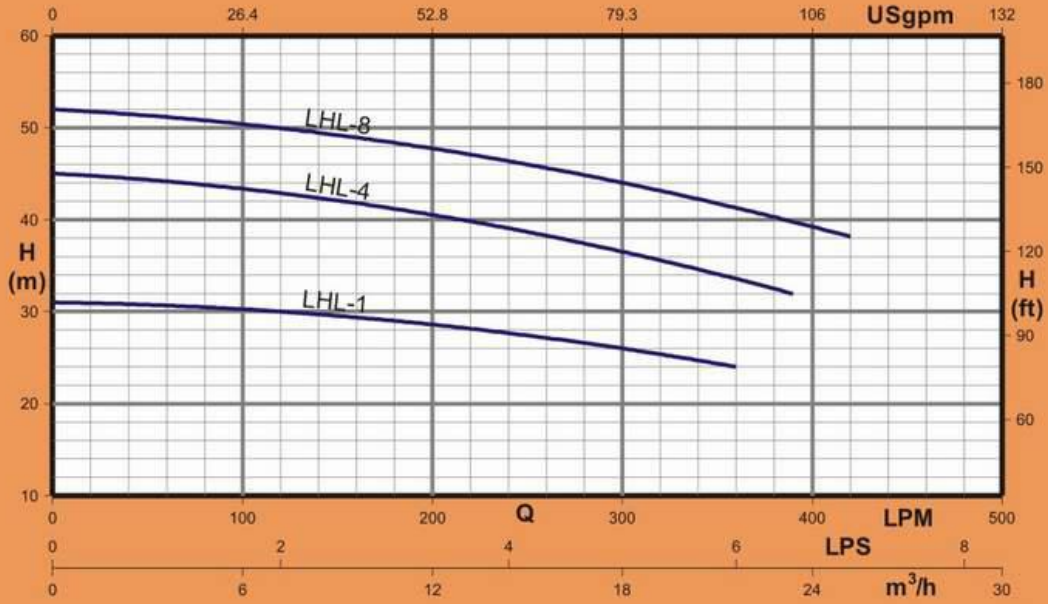


DIMENSIONS

MODEL	DN1	DN2	DIMENSIONS mm									GROSS WEIGHT kg.	VOLUME m ³
			A	B	C	D	E1	E2	F1	F2	ØG		
LHL-2	2- 1/2"	2"	484	225	322	141	170	105	200	180	Ø14	76.0	0.1561
LHL-5A	2- 1/2"	2"	497	263	335	141	170	125	200	200	Ø14	88.5	0.1561
LHL-7A	2- 1/2"	2"	527	263	335	141	170	155	200	230	Ø14	86.5	0.1872
LHL-9A	2- 1/2"	2"	592	250	356	141	170	165	200	240	Ø14	92.5	0.1872

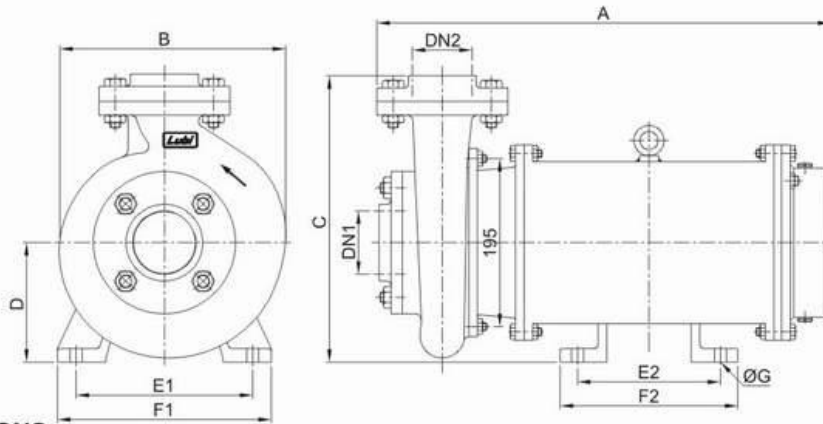


PERFORMANCE CHART AT n = 2900 RPM FOR 2" X 2" PUMPS



PERFORMANCE DATA AT n = 2900 RPM

MODEL	POWER		m³/h l/min	6	12	18	21	24
	kW	HP		H (m)				
LHL-1	2.20	3.0	30	29	26	24.5	22	
LHL-4	3.70	5.0	43.5	40.5	36.5	34	31	
LHL-8	5.50	7.5	50	48	44	42	39	

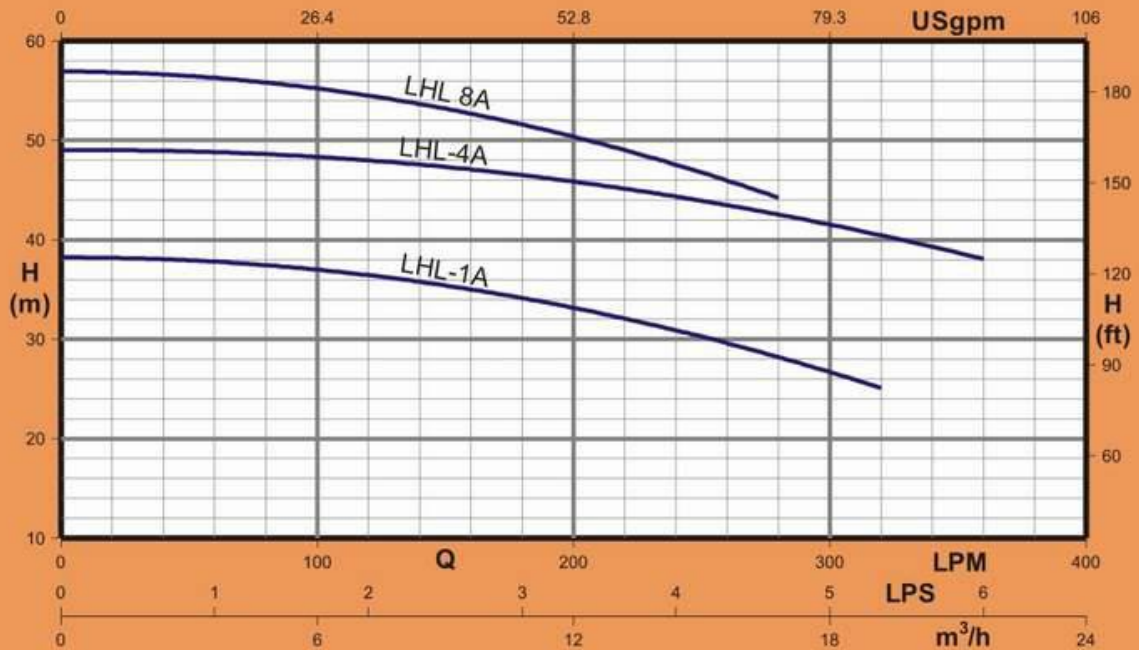


DIMENSIONS

MODEL	DN1	DN2	DIMENSIONS mm									GROSS WEIGHT kg.	VOLUME m³
			A	B	C	D	E1	E2	F1	F2	ØG		
LHL-1	2"	2"	477	218	318	141	170	105	200	180	Ø14	75.0	0.1561
LHL-4	2"	2"	500	250	335	141	170	125	200	200	Ø14	85.5	0.1561
LHL-8	2"	2"	498	281	366	141	170	165	200	240	Ø14	90.0	0.1872

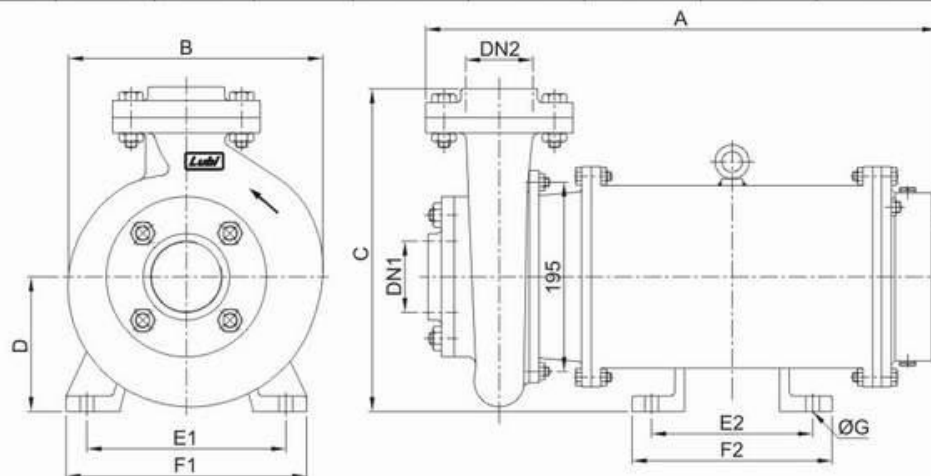


PERFORMANCE CHART AT n = 2900 RPM FOR 2" X 1-1/2" PUMPS



PERFORMANCE DATA AT n = 2900 RPM

MODEL	POWER		m ³ /h	6	9	12	15	18	21
	kW	HP		100	150	200	250	300	350
LHL-1A	2.20	3.0	H (m)	37	35.5	33	30	27	-
LHL-4A	3.70	5.0		48	47	46	44	42	39
LHL-8A	5.50	7.5		55	53	50	47	43	-



DIMENSIONS

MODEL	DN1	DN2	DIMENSIONS mm									GROSS WEIGHT kg.	VOLUME m ³
			A	B	C	D	E1	E2	F1	F2	ØG		
LHL-1A	2"	1- 1/2"	468	254	311	141	170	105	200	180	Ø14	76.0	0.1561
LHL-4A	2"	1- 1/2"	500	250	335	141	170	125	200	200	Ø14	81.5	0.1561
LHL-8A	2"	1- 1/2"	500	260	360	141	170	165	200	240	Ø14	87.0	0.1561



LHL

Horizontal Submersible Pumps (3.00 HP to 7.50 HP)



Performance Range

- Flow rate up to 1500 l/min. (90 m³/h)
- Dynamic head up to 55 m.

Applications

- For clean liquids without abrasives, which are non - aggressive for the pump materials. (Solids content up to 0.2 %)
- Canals / River belt irrigation.
- For water supply.
- Fountains.
- For fire fighting applications.
- For civil and industrial applications.
- For heating, cooling, air - conditioning and circulation plants.

Special Features on Request

- Other voltages.
- Available in 60Hz.

Motor

- 2 - pole submersible motor
50Hz (n = 2900 RPM)
- Three phase :
400V +5 -15 %
- Protection IP 68

Operating Conditions

- Liquid temperature up to 35°.
- Ambient temperature up to 50°.
- Minimum submergence depth 0.5 mtr.
- Continuous duty.

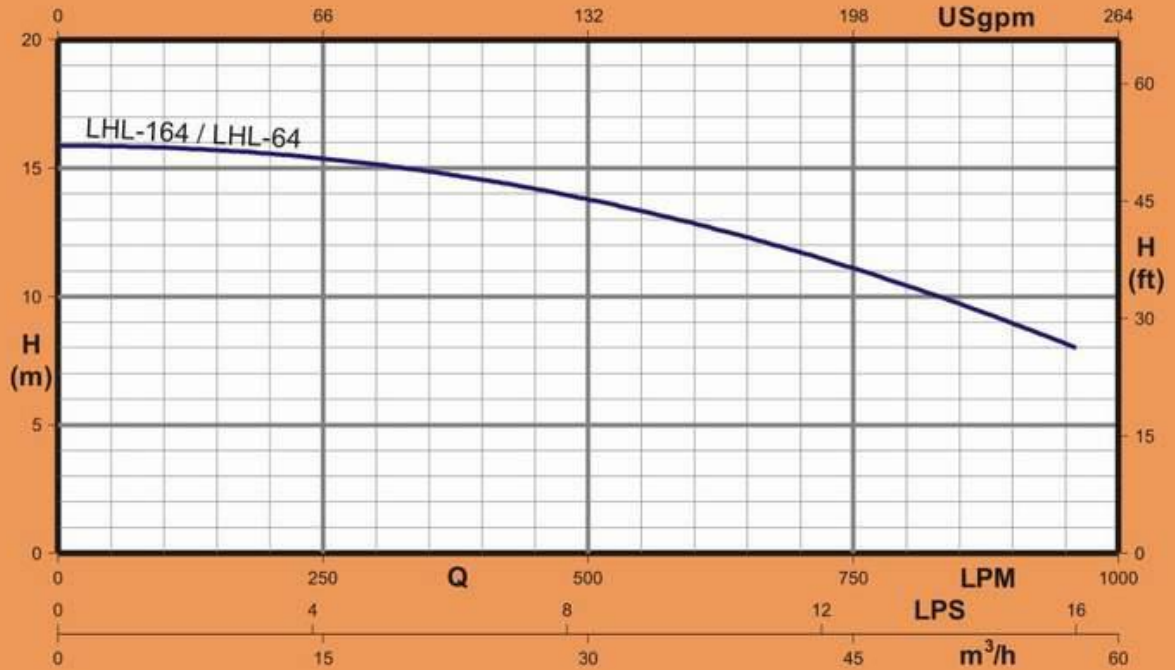
Material

COMPONENTS	MATERIAL
Pump Casing	Grey Iron
Impeller	Grey Iron / Bronze
Adaptor	Grey Iron
Lower Bearing Housing	Grey Iron
Stator Frame	Grey Iron
Shaft	Carbon Steel
Thrust Bearing	Fibre / Bronze

NOTE : For Bronze impeller please add a subscript "B" to model no.
For Ex. : LHL-1 for Grey Iron impeller, LHL-1B for Bronze impeller.

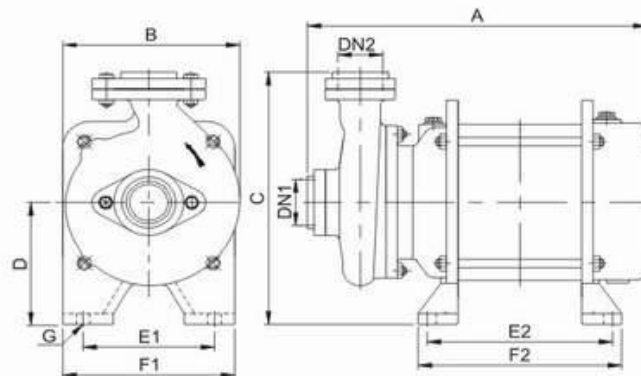


PERFORMANCE CHART AT n = 2900 RPM FOR 3" X 3" PUMPS



PERFORMANCE DATA AT n = 2900 RPM

MODEL	MODEL	POWER		m ³ /h	12	24	36	48	57
Single Phase	Three Phase	kW	HP	l/min	200	400	600	800	950
LHL-164	LHL-64	1.50	2.0	H (m)	15.5	14.5	13	10.5	8

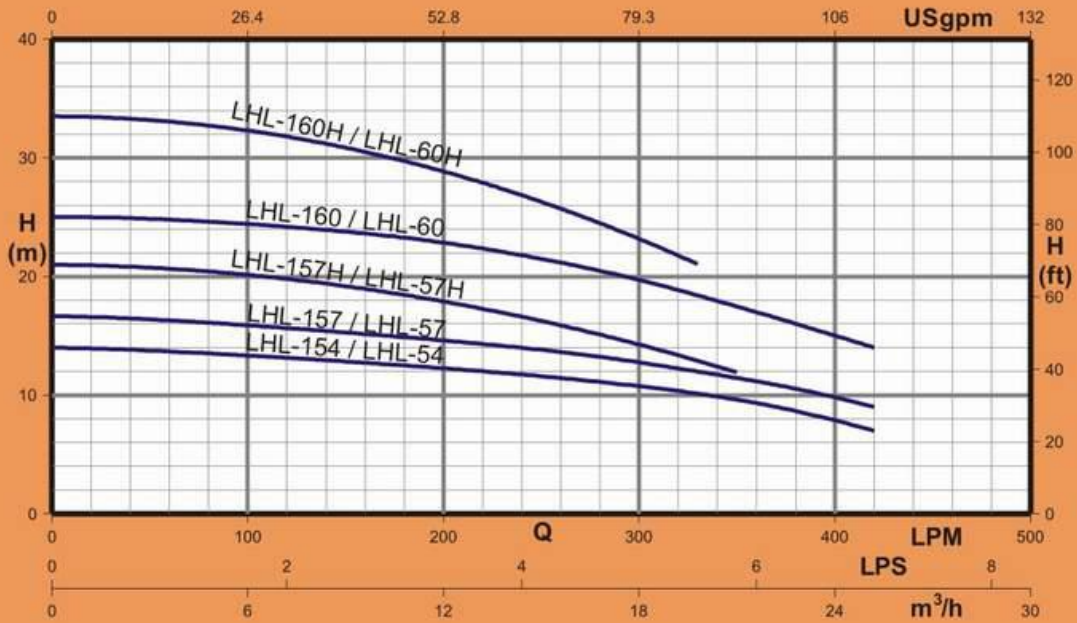


DIMENSIONS

MODEL		DN1	DN2	DIMENSIONS mm							GROSS WEIGHT kg.	VOLUME m ³		
Single Phase	Three Phase			A	B	C	D	E1	E2	F1			F2	G
LHL-164	-	3"	3"	442	210	292	115	117	251	153	267	12	47.0	0.1092
-	LHL-64	3"	3"	417	210	292	115	117	226	153	242	12	42.5	0.0819

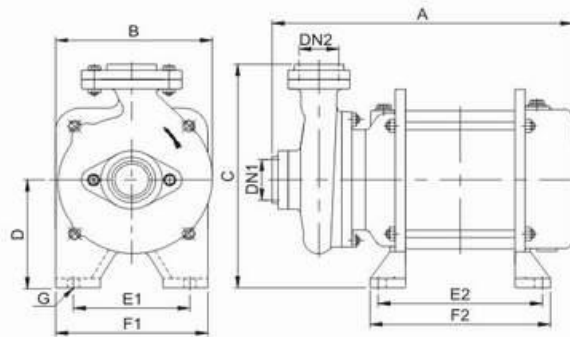


PERFORMANCE CHART AT n = 2900 RPM FOR 2" X 2" PUMPS



PERFORMANCE DATA AT n = 2900 RPM

MODEL		POWER		m ³ /h l/min	6	9	12	18	24
Single Phase	Three Phase	kW	HP						
LHL-154	LHL-54	0.75	1.0	H (m)	100	150	200	300	400
LHL-157	LHL-57	1.10	1.5		13.5	13	12	11	8
LHL-157H	LHL-57H	1.10	1.5		16	15.5	15	13	10
LHL-160	LHL-60	1.50	2.0		20	19	18	14	-
LHL-160H	LHL-60H	1.50	2.0		24.5	24	23	20	15
					32	31	29	23	-

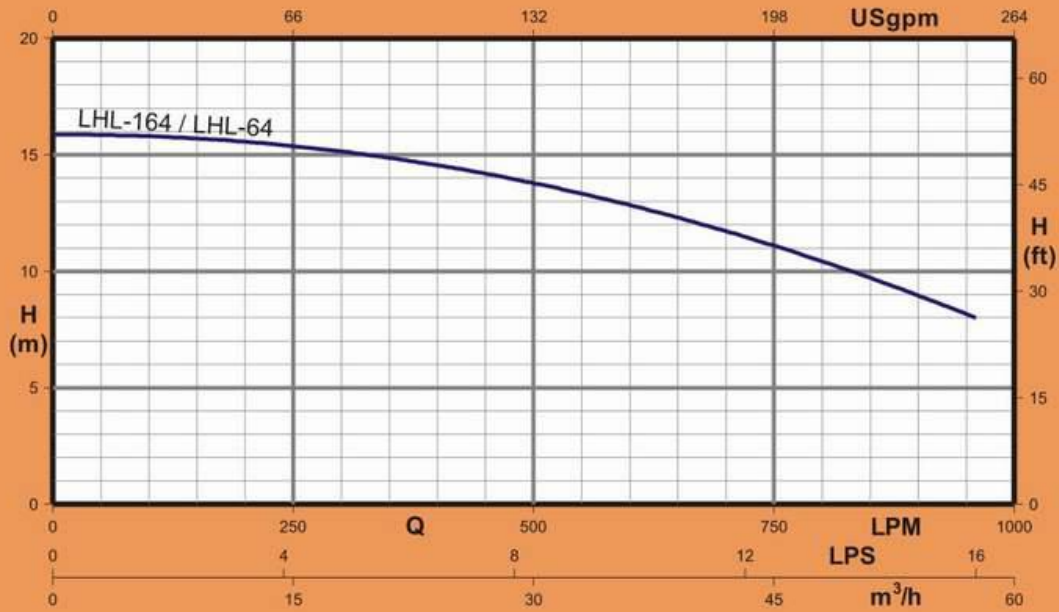


DIMENSIONS

MODEL		DN1	DN2	DIMENSIONS mm									GROSS WEIGHT kg.	VOLUME m ³
Single Phase	Three Phase			A	B	C	D	E1	E2	F1	F2	G		
LHL-154	-	2"	2"	367	175	265	115	117	184	153	212	12	33.5	0.1014
-	LHL-54	2"	2"	357	175	265	115	117	186	153	202	12	31.5	0.0741
LHL-157 LHL-157H	-	2"	2"	392	175	265	115	117	221	153	237	12	39.0	0.1092
-	LHL-57 LHL-57H	2"	2"	377	175	265	115	117	206	153	222	12	36.0	0.0819
LHL-160 LHL-160H	-	2"	2"	422	197	278	115	117	251	153	267	12	43.0	0.1092
-	LHL-60 LHL-60H	2"	2"	397	197	278	115	117	226	153	242	12	38.5	0.0819

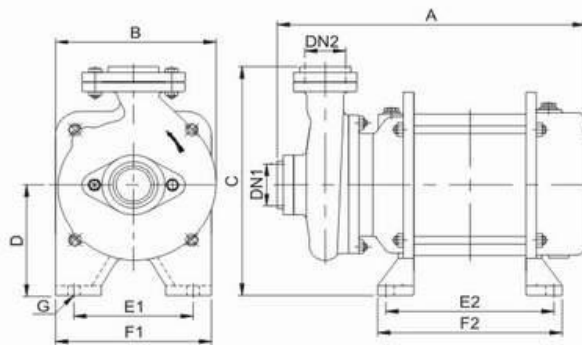


PERFORMANCE CHART AT n = 2900 RPM FOR 3" X 3" PUMPS



PERFORMANCE DATA AT n = 2900 RPM

MODEL	MODEL	POWER		m ³ /h	12	24	36	48	57
Single Phase	Three Phase	kW	HP	l/min	200	400	600	800	950
LHL-164	LHL-64	1.50	2.0	H (m)	15.5	14.5	13	10.5	8

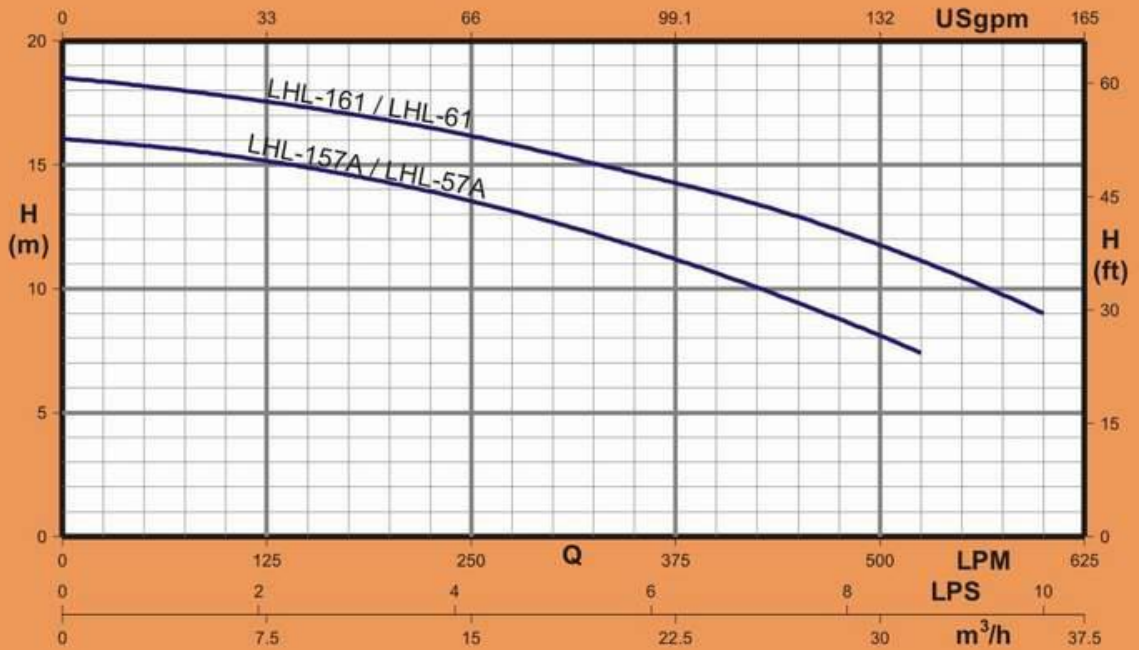


DIMENSIONS

MODEL		DN1	DN2	DIMENSIONS mm								GROSS WEIGHT kg.	VOLUME m ³	
Single Phase	Three Phase			A	B	C	D	E1	E2	F1	F2			G
LHL-164	-	3"	3"	442	210	292	115	117	251	153	267	12	47.0	0.1092
-	LHL-64	3"	3"	417	210	292	115	117	226	153	242	12	42.5	0.0819

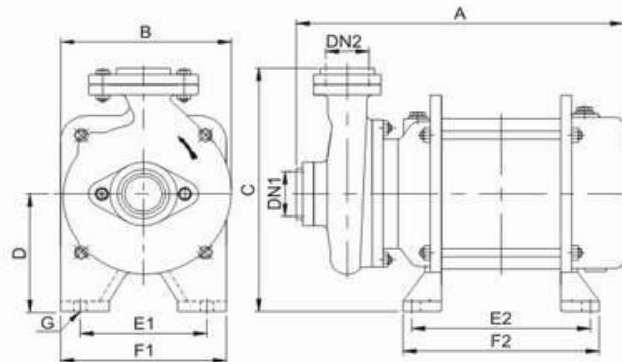


PERFORMANCE CHART AT n = 2900 RPM FOR 2-1/2" X 2" PUMPS



PERFORMANCE DATA AT n = 2900 RPM

MODEL	MODEL	POWER		m³/h l/min	6	12	18	24	30
		kW	HP		H (m)	H (m)	H (m)	H (m)	H (m)
Single Phase	Three Phase				100	200	300	400	500
LHL-157A	LHL-57A	1.10	1.5	H	15.5	14.5	13	10.5	8
LHL-161	LHL-61	1.50	2.0	(m)	17.5	17	15.5	14	12

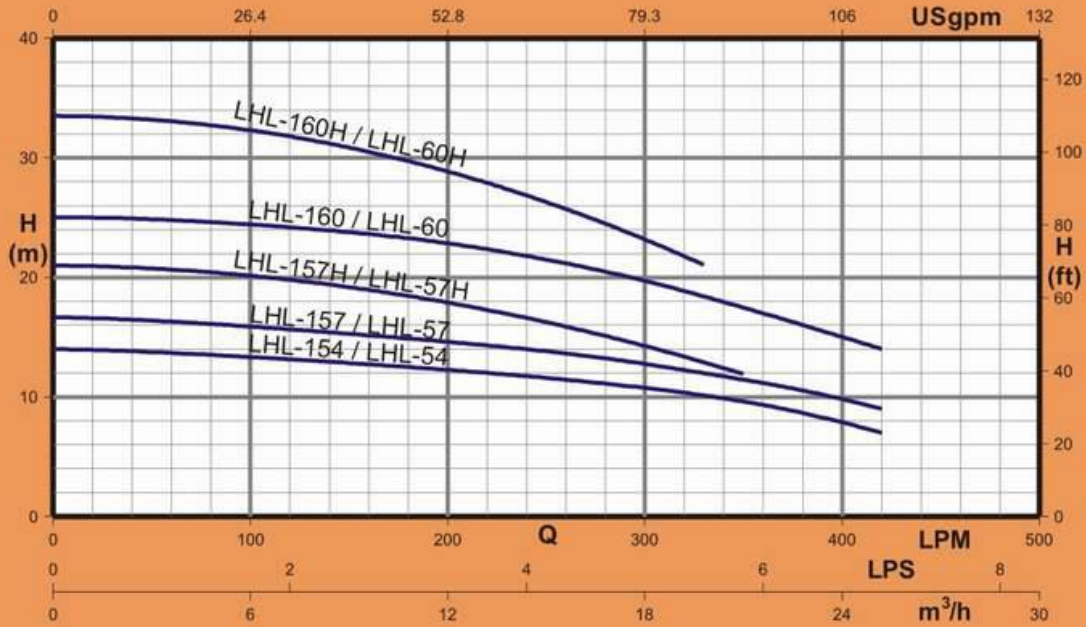


DIMENSIONS

MODEL		DN1	DN2	DIMENSIONS mm								GROSS WEIGHT kg.	VOLUME m³	
Single Phase	Three Phase			A	B	C	D	E1	E2	F1	F2			G
LHL-157A	-	2- 1/2"	2"	392	175	265	115	117	221	153	237	12	39.0	0.1092
-	LHL-57A	2- 1/2"	2"	377	175	265	115	117	206	153	222	12	36.0	0.0819
LHL-161	-	2- 1/2"	2"	421	205	284	115	117	251	153	267	12	44.0	0.1092
-	LHL-61	2- 1/2"	2"	396	205	284	115	117	226	153	242	12	39.5	0.0819

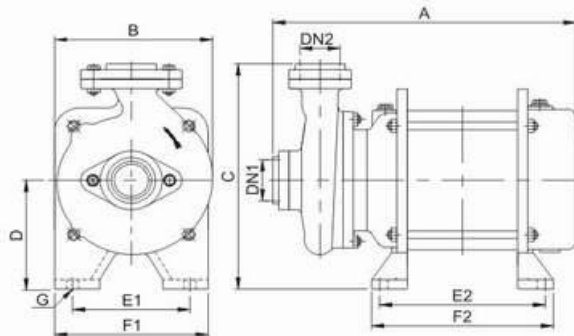


PERFORMANCE CHART AT n = 2900 RPM FOR 2" X 2" PUMPS



PERFORMANCE DATA AT n = 2900 RPM

MODEL	MODEL	POWER		m ³ /h	6	9	12	18	24
		kW	HP						
Single Phase	Three Phase			l/min	100	150	200	300	400
LHL-154	LHL-54	0.75	1.0	H (m)	13.5	13	12	11	8
LHL-157	LHL-57	1.10	1.5		16	15.5	15	13	10
LHL-157H	LHL-57H	1.10	1.5		20	19	18	14	-
LHL-160	LHL-60	1.50	2.0		24.5	24	23	20	15
LHL-160H	LHL-60H	1.50	2.0		32	31	29	23	-

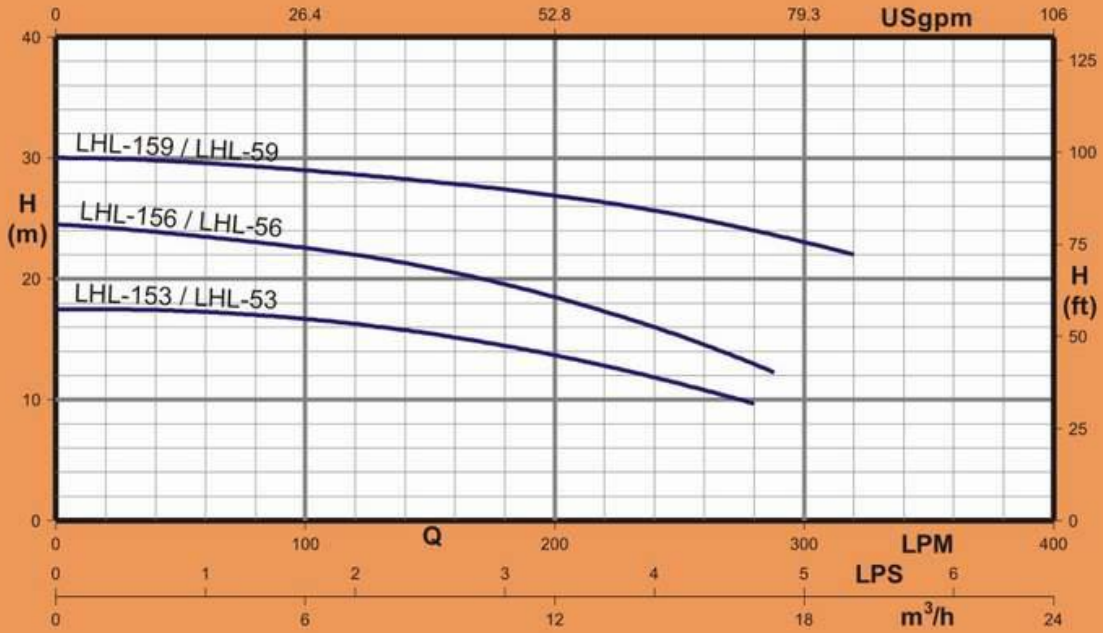


DIMENSIONS

MODEL		DN1	DN2	DIMENSIONS mm								GROSS WEIGHT kg.	VOLUME m ³	
Single Phase	Three Phase			A	B	C	D	E1	E2	F1	F2			G
LHL-154	-	2"	2"	367	175	265	115	117	184	153	212	12	33.5	0.1014
-	LHL-54	2"	2"	357	175	265	115	117	186	153	202	12	31.5	0.0741
LHL-157	-	2"	2"	392	175	265	115	117	221	153	237	12	39.0	0.1092
-	LHL-57	2"	2"	377	175	265	115	117	206	153	222	12	36.0	0.0819
LHL-160	-	2"	2"	422	197	278	115	117	251	153	267	12	43.0	0.1092
-	LHL-60	2"	2"	397	197	278	115	117	226	153	242	12	38.5	0.0819

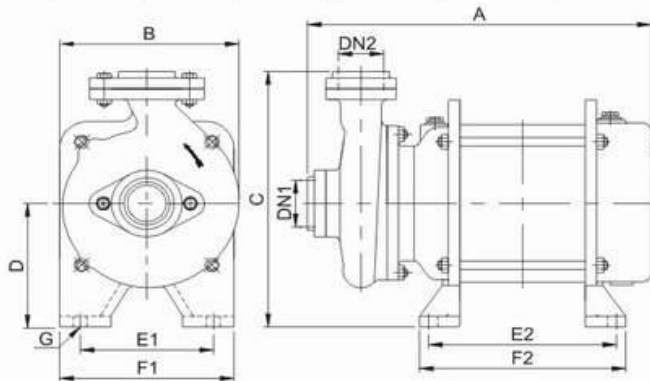


PERFORMANCE CHART AT n = 2900 RPM FOR 2" X 1-1/2" PUMPS



PERFORMANCE DATA AT n = 2900 RPM

MODEL	MODEL	POWER		m³/h	6	9	12	15	18
Single Phase	Three Phase	kW	HP	l/min	100	150	200	250	300
LHL-153	LHL-53	0.75	1.0	H (m)	17	15.5	14	11	8
LHL-156	LHL-56	1.10	1.5		22.5	21	18.5	15	11
LHL-159	LHL-59	1.50	2.0		29	28	27	25	23

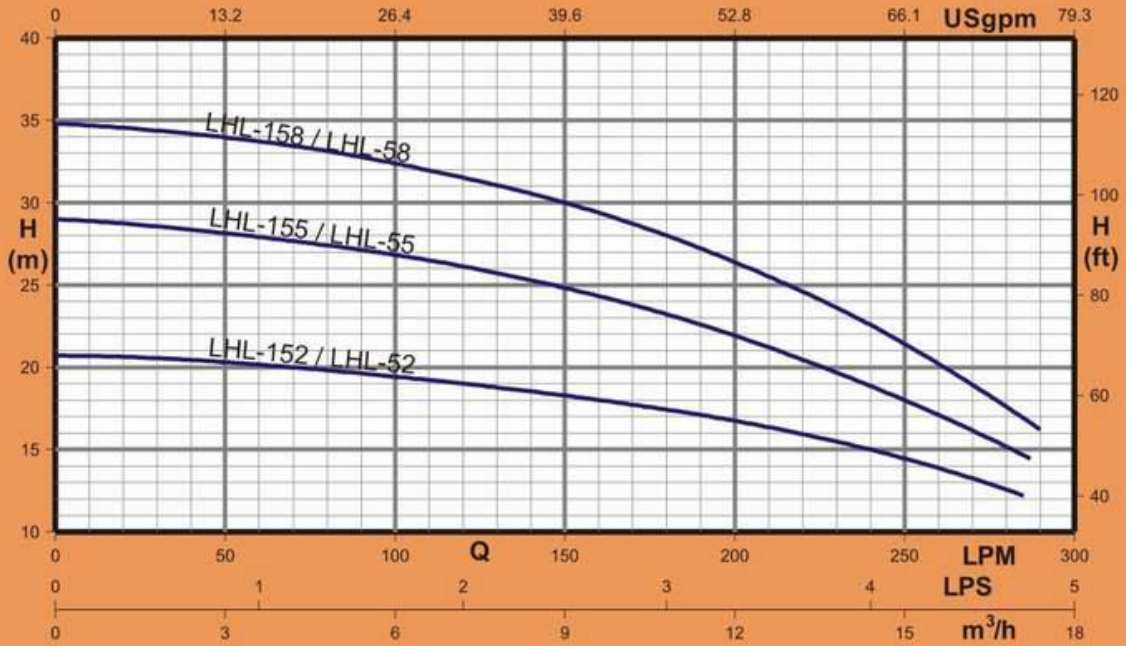


DIMENSIONS

MODEL		DN1	DN2	DIMENSIONS mm								GROSS WEIGHT kg.	VOLUME m³	
Single Phase	Three Phase			A	B	C	D	E1	E2	F1	F2			G
LHL-153	-	2"	1- 1/2"	360	172	265	115	117	196	153	212	12	33.0	0.1014
-	LHL-53	2"	1- 1/2"	350	172	265	115	117	186	153	202	12	31.0	0.0741
LHL-156	-	2"	1- 1/2"	385	185	271	115	117	221	153	237	12	39.0	0.1092
-	LHL-56	2"	1- 1/2"	370	185	271	115	117	206	153	222	12	36.0	0.0819
LHL-159	-	2"	1- 1/2"	415	213	290	115	117	251	153	267	12	44.0	0.1092
-	LHL-59	2"	1- 1/2"	390	213	290	115	117	224	153	242	12	39.5	0.0819

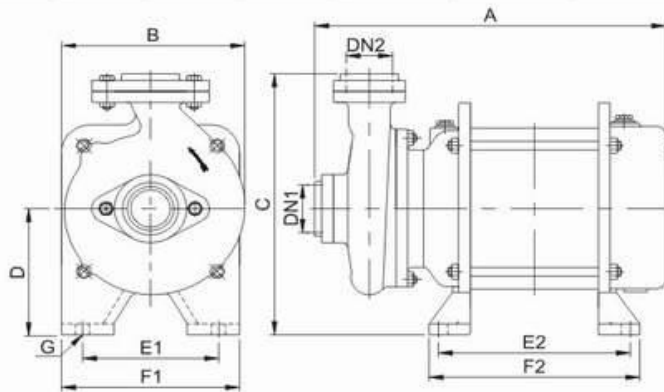


PERFORMANCE CHART AT n = 2900 RPM FOR 1-1/2" X 1-1/2" PUMPS



PERFORMANCE DATA AT n = 2900 RPM

MODEL	MODEL	POWER		m ³ /h	3	6	9	12	15
		kW	HP						
Single Phase	Three Phase			l/min	50	100	150	200	250
LHL-152	LHL-52	0.75	1.0	H (m)	20.5	19.5	18	17	14.5
LHL-155	LHL-55	1.10	1.5		28	27	25	22	18
LHL-158	LHL-58	1.50	2.0		34	32.5	30	26.5	21.5

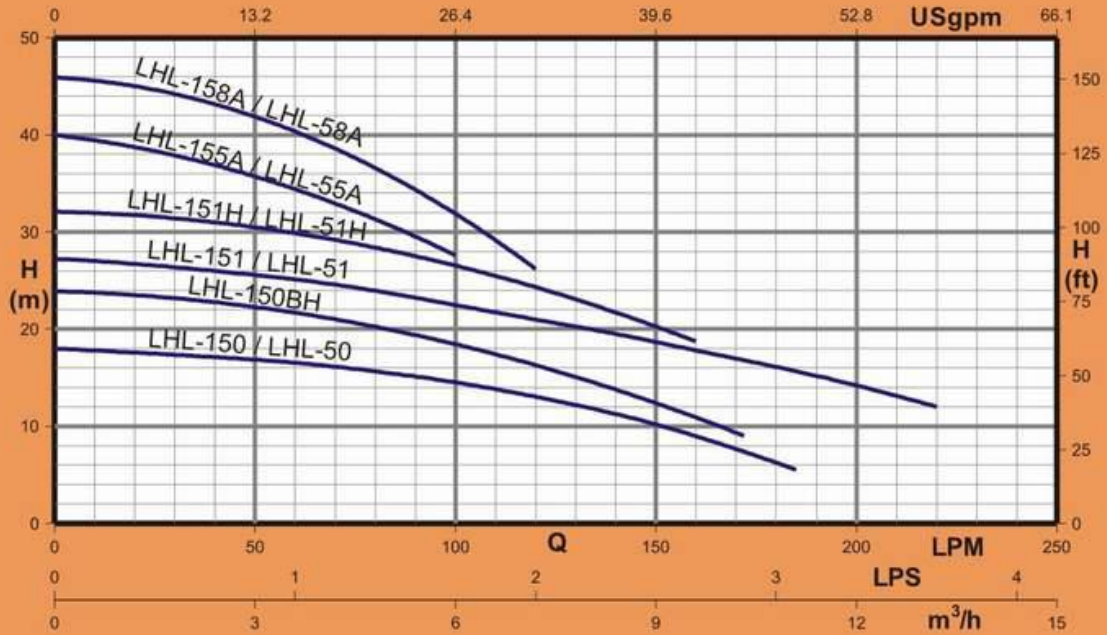


DIMENSIONS

MODEL		DN1	DN2	DIMENSIONS mm								GROSS WEIGHT kg.	VOLUME m ³	
Single Phase	Three Phase			A	B	C	D	E1	E2	F1	F2			G
LHL-152	-	1- 1/2"	1- 1/2"	342	176	256	115	117	196	153	212	12	33.0	0.1014
-	LHL-52	1- 1/2"	1- 1/2"	332	176	256	115	117	186	153	202	12	31.0	0.0741
LHL-155	-	1- 1/2"	1- 1/2"	377	204	287	115	117	221	153	237	12	41.0	0.1092
-	LHL-55	1- 1/2"	1- 1/2"	362	204	287	115	117	206	153	222	12	38.0	0.0819
LHL-158	-	1- 1/2"	1- 1/2"	387	204	287	115	117	251	153	267	12	44.0	0.1092
-	LHL-58	1- 1/2"	1- 1/2"	362	204	287	115	117	226	153	242	12	39.5	0.0819

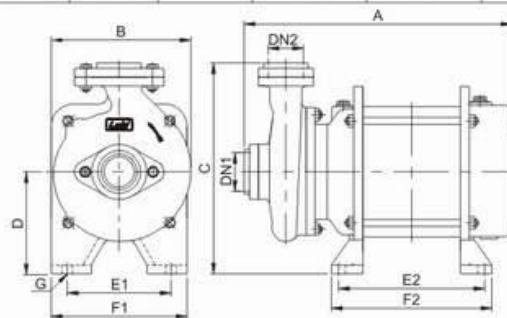


PERFORMANCE CHART AT n = 2900 RPM FOR 1" X 1" PUMPS



PERFORMANCE DATA AT n = 2900 RPM

MODEL	MODEL	POWER		m ³ /h	3	4.5	6	9	12
Single Phase	Three Phase	kW	HP	l/min	50	75	100	150	200
LHL-150	LHL-50	0.37	0.5	H (m)	17	16	15	10	-
LHL-150BH	-	0.37	0.5		22	21	18.5	12.5	-
LHL-151	LHL-51	0.75	1.0		26	24.5	22.5	19	14
LHL-151H	LHL-51H	0.75	1.0		30	29	27	20	-
LHL-155A	LHL-55A	1.10	1.5		36	32	28	-	-
LHL-158A	LHL-58A	1.50	2.0		42	38	32	-	-



DIMENSIONS

MODEL		DN1		DIMENSIONS mm									GROSS WEIGHT kg.	VOLUME m ³
Single Phase	Three Phase	DN1	DN2	A	B	C	D	E1	E2	F1	F2	G		
LHL-150	LHL-50	1"	1"	304	158	234	115	117	166	153	180	12	19.0	0.0312
LHL-150BH	-	1"	1"	290	168	230	87	110	55	140	95	Ø12.7	18.0	0.0290
LHL-151 LHL-151H	-	1"	1"	345	178	256	115	117	196	153	212	12	32.0	0.1014
-	LHL-51 LHL-51H	1"	1"	335	178	256	115	117	186	153	202	12	30.0	0.0741
LHL-155A	-	1"	1"	377	204	287	115	117	221	153	237	12	41.0	0.1092
-	LHL-55A	1"	1"	362	204	287	115	117	206	153	222	12	38.0	0.0819
LHL-158A	-	1"	1"	387	204	287	115	117	251	153	267	12	44.0	0.1092
-	LHL-58A	1"	1"	362	204	287	115	117	226	153	242	12	39.5	0.0819

